

Proceed with removal - [7040L22 REAR TRIM on TUNNEL -R.R.](#) .

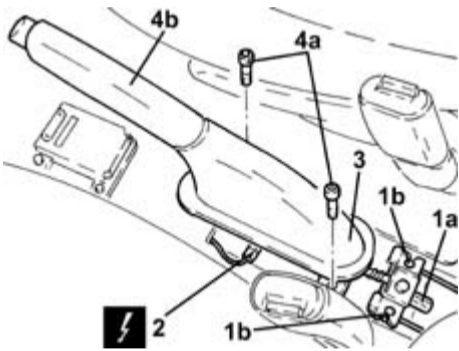
Proceed with removal - [7040L28 tunnel switch panel - r r](#) .



Proceed with removal - [7040L20 tunnel trim - r r](#) .

1. Loosen adjustment nut (1a), then disconnect cables (1b) from the mount.
2. Disconnect the electrical connection from the handbrake 'on' warning light switch.

	Name	Connector
2	Handbrake switch	<a href="#">I40</a>

3. Raise the handbrake gaiter as far as necessary.
4. Undo the bolts (4a) and remove the handbrake lever (4b).



 Refitting ( [Removing](#)  )

Fit the handbrake lever and tighten the bolts to the specified torque.

	Fastening	Component	Ø	Value (daNm)
-	Bolt	HANDBRAKE LEVER	M8	(Bodyshell side ) 2.4 ÷ 3.0

Connect the electrical connection to the handbrake 'on' warning light switch.

Connect the cables to the mount.

Proceed with refitting - [3380A04 handbrake - check travel](#) .

Proceed with refitting - [7040L20 tunnel trim - r r](#) .

Proceed with refitting - [7040L28 tunnel switch panel - r r](#) .

Proceed with refitting - [7040L22 REAR TRIM on TUNNEL -R.R.](#) .

Connect the negative (-) battery terminal.